



NAPCO

NAPCO SECURITY SYSTEMS INC.
6 DITOMAS COURT
COPIAGUE, NEW YORK 11726

PHONE (516) 842-8400
TWX 510-227-8954

TOLL FREE
SALES AND REPAIRS (800) 848-2448
TECHNICAL SERVICE (800) 848-2449
IN NEW YORK
SALES REPAIRS
TECHNICAL SERVICE
(516) 842-8400
(516) 842-8401

OPERATING AND INSTALLATION INSTRUCTIONS

RP-1005 UNIVERSAL DIGITAL KEYPAD

(c) NAPCO 1984

WI298C 7/86

The Napco RP-1005 Universal Digital Keypad Station is intended for use with control centers that do not have built-in keypad decoding.

Each keypad station provides Mini-Sounder warning (generally used to indicate the beginning of an entry delay) and three status indicators. The red ARMED indicator lights when the control center is armed, and goes off when it is disarmed. The green STATUS light indicates the condition of the monitored protective loops. It lights and goes off in the manner specified for the control center used. If the control center is equipped with alarm memory, the red MEMORY light goes on when an alarm occurs, and remains on after the control center has been disarmed as a reminder in case a service call is required before the system can be rearmed. Once all circuits are operating normally, the MEMORY will go out when the control center is reset.

An easily accessible, adjustable wire and socket assembly allow the user to select his own code of four different digits. Pressing the four buttons on the keypad corresponding to the 4 code digits, in their correct order, arms and disarms the control center. (Each keypad can be wired for a different code, but only the exact code wired at an individual keypad can be entered through its keys to arm or disarm the control center.) Code entry is canceled if digits are pressed out sequence, and the entire code must be reentered.

The RP-1005 also provides a S(Shunt) button. Shunting is indicated by the SHUNT light (yellow). Shunting allows the user to arm selectively while the premises is occupied. The shunt feature can be connected to an entire burglary loop or a portion of a burglary circuit containing one or more normally closed devices. If an open condition occurs on that portion of the protective circuitry shunted while the system is armed, an alarm will not occur. The green STATUS light should indicate normal loop status at the time the system is shunted and armed. When shunting and arming, the code must be entered within 15 seconds after pushing the S button. A 1 to 2 second delay has been added between shunting and actual arming of a control center and between disarming and canceling shunt so that the code is entered only once to combine arming/disarming with the shunt feature. This 1 to 2 second delay can be seen between the lighting of the yellow and red indicators (on arming with shunt) and removal of the red and yellow indicators on disarming.

Pushing the "*" and "*" buttons simultaneously signals a Panic alert when used with a control center providing panic circuitry.

=====

SPECIFICATIONS

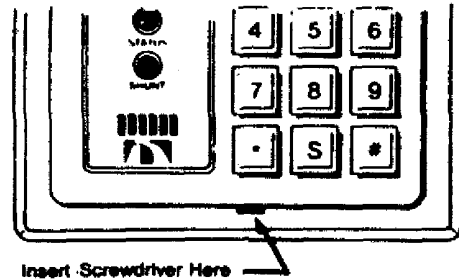
Current Drain	at 12 volts	Contact Ratings	
Red ARMED light	12 mA. (when lit)	Panic	20 mA. at 24 volts DC
Green STATUS light	12 mA. (when lit)	Shunt Relay	500 mA. at 24 volts DC
Yellow SHUNT light	37 mA. (when lit)	Key Relay	500 mA. at 24 volts DC
Mini-Sounder	12 mA. (while sounding)	User Code	4 different digits

MOUNTING

PREPARE FOR MOUNTING

1. Using screwdriver in slot, pry off cover of keypad assembly. (Figure 1.)
2. Follow WIRING instructions for back of keypad circuit board. (See: Code, Key Relay Operation.)

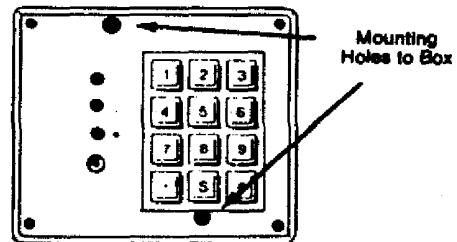
FIGURE 1



MOUNTING ON BB-5, BB-5B or CCI-5 CONTROL CENTER DOOR

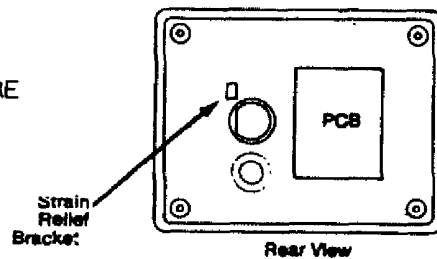
1. Use screwdriver to remove knock-out in front door.
2. Align mounting holes on keypad with mounting slots in cabinet door. (Figure 2.)
3. Secure in place with #6 screws and nuts.
4. Replace keypad cover.

FIGURE 2



NOTE: There is a bracket on the back of the keypad for securing strain-relief ties. (Figure 3.)

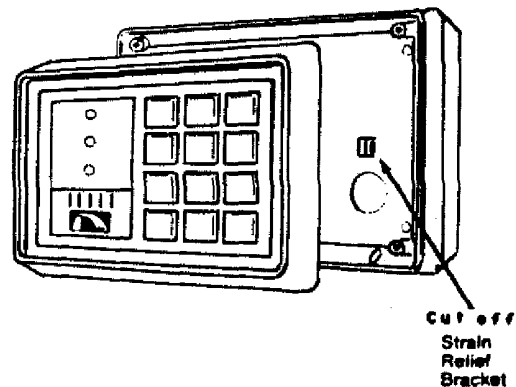
FIGURE 3



SURFACE MOUNTING ON WALL USING RPB-1

1. Use a wire cutter to remove strain relief bracket from RPB-1. (Figure 4.)
2. Provide wire routing holes through the wall, if necessary.
3. Mount RPB-1 to wall.
4. Pull wires through the hole in the back, or run a cable through the smaller hole in the side.
5. Keypad wires must be shortened to fit in RPB-1.
6. Dress white code selection leads, if necessary, to prevent mounting problems due to bunching. Position these leads as flat as possible against the back of the keypad circuit board.
7. Mount keypad to RPB-1; with provided screws.

FIGURE 4

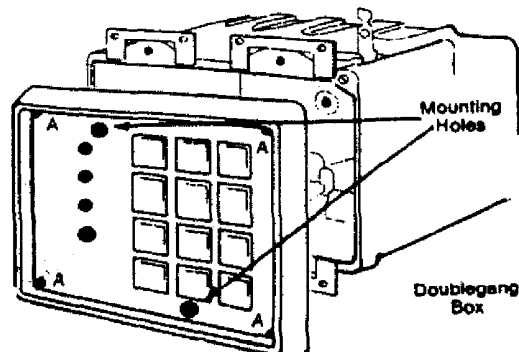


FLUSH MOUNTING IN WALL USING RPB-2

1. Position keypad on Napco RPB-2 box.
2. Use mounting holes to secure keypad to junction box with #6 screws. (Figure 5.)
3. Replace keypad cover.

NOTE: Alternatively, drill the four outside corner holes (labeled A in Figure 5) for flush mounting directly in wall.

FIGURE 5



WIRING

Code

A code is selected with the white leads and the socket holes number 1 to 4 on the back of the keypad circuit board. To select a 4-digit code, connect the white lead numbered with your first code digit to socket hole 1, the second digit to socket hole 2, etc. NOTE: Use only digits 1 through 9. Do not connect the zero (0) wire on the RP-1005. (Figure 6 shows code 2179 selected as an example.) Connect all remaining white leads in the socket holes labeled PARKING. Code selection can be changed at any time by changing the order in which these white leads are connected to sockets 1 through 4 and PARKING.

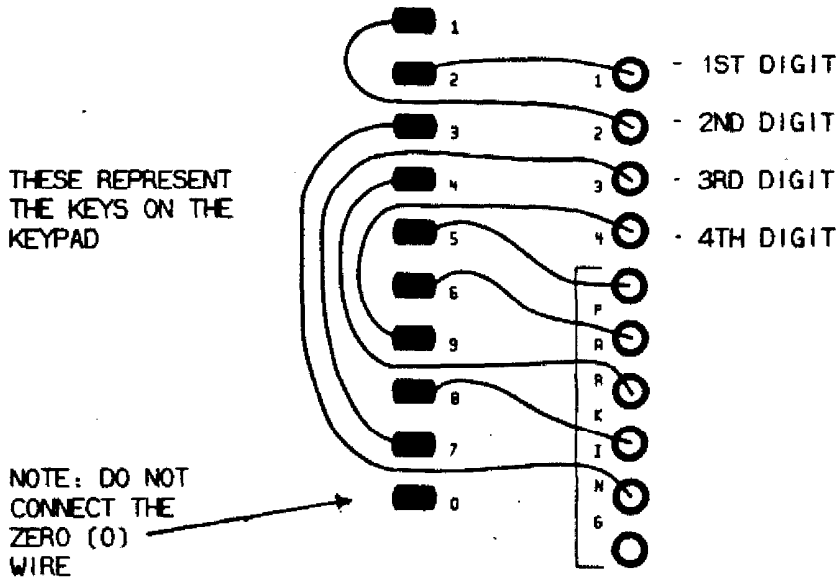


FIGURE 6: CODE SELECTION.
(SHOWS CODE 2179 SELECTED.)

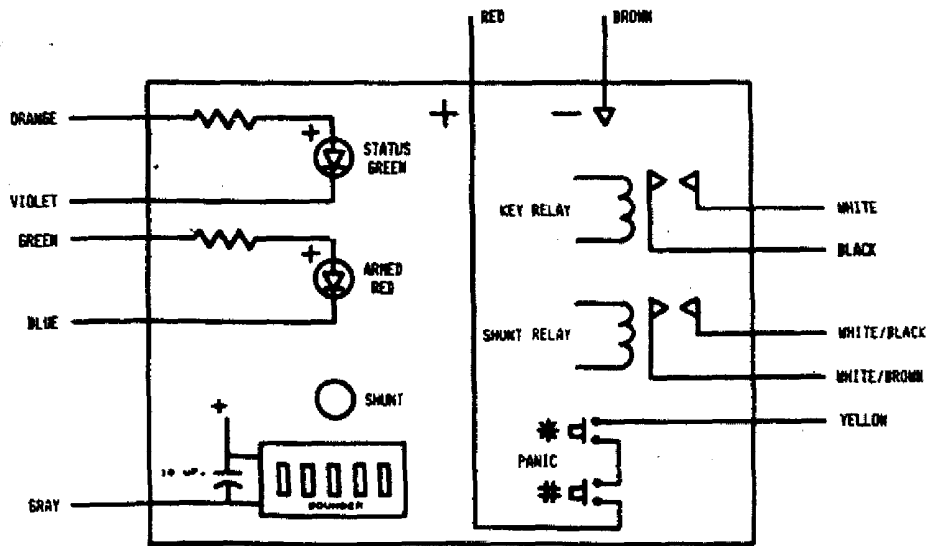


FIGURE 7: WIRING DIAGRAM

Key Relay Operation

Relay operation is selected with the red lead and the socket holes labeled A and B, also on the back of the circuit board. Connect the red lead in socket hole A for maintained relay operation or in socket hole B for momentary. Many control centers require maintained keyswitch operation, which does not allow more than one keypad or keyswitch. The Napco BB-5, BB-5B and CCI-5 require momentary relay operation. Therefore, for use with any of these control centers, the red lead must be connected to socket hole B.

Control Center

All remote stations should be wired in parallel. A run of up to 500 feet can be made using 22 gauge wire. CAUTION: When wiring, avoid splashing solder on the keypad circuit board.

The RP-1005 keypad may be used with a Napco BB-5, BB-5B or CCI-5 (12 volt model) control center. NOTE: When connecting an RP-1005 to a CCI-5, a Napco R-714 Regulator Module must also be used. Follow the instructions supplied with the R-714 to connect the regulator module to the control center.

Connections between the BB-5, BB-5B or CCI-5 control center terminals and RP-1005 are shown in Table 1 below. Up to 5 combined remote keypad and keyswitch stations can be used. Total current drain from all lights should not exceed 160 milliamps.

RP-1005 WIRE	CONTROL CENTER TERMINAL		FUNCTION
	BB-5/BB-5B	CCI-5	
Yellow	7 or 18	6 or 7	Panic
Brown	5	24	Power Out (-)
Red	9	Fused lead from R714	Power Out (+)
Orange	9	Fused lead from R714	
Green	9	Fused lead from R714	
White	9	Fused lead from R714	
Black	10	12	Keyswitch
Blue	11	11	ARMED light
Violet	12	10	STATUS light
Gray	15	14	Sounder
White/Black	Device, loop section, or terminal pair (1 & 2 or 3 & 4) of circuit to be shunted (Figure 8).		
White/Brown	Device, loop section, or terminal pair (1 & 2 or 3 & 4) of circuit to be shunted (Figure 8).		

TABLE 1

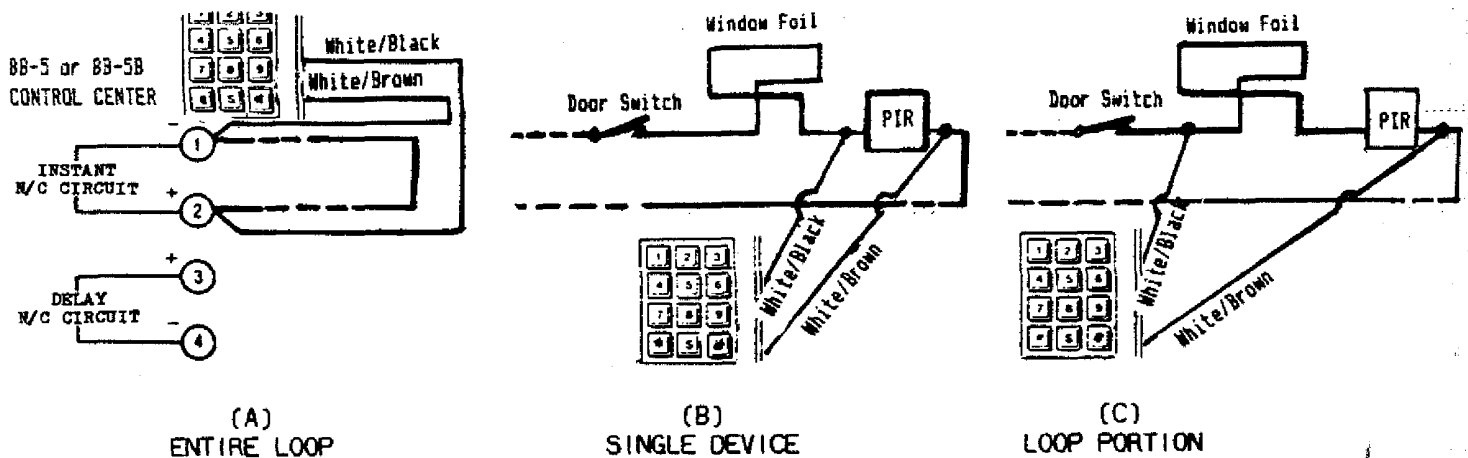


FIGURE 8: SHUNTING ON BB-5, BB-5B OR CCI-5 CONTROL CENTER

ARMING WITHOUT SHUNT

- 1) Green STATUS light must indicate all protective circuits good. If not: (a) Do not arm. (b) Check monitored circuit(s).
- 2) Press four code keys in correct order.
- 3) Red ARMED light goes on. If not, try to arm again.
- 4) Leave before Mini-Sounder alerts end of exit delay and beginning of entry delay period. (*)

ARMING WITHOUT SHUNT

- 1) Mini-Sounder sounds until end of entry delay period. (*)
- 2) Press four code keys in correct order.
- 3) Red ARMED light goes off. System is disarmed.

(*) Operation with BB-5 or CCI-5.

ARMING WITH SHUNT

- 1) Green STATUS light indicates all protective circuits good. If not: (a) Do not arm. (b) Check monitored circuitry or fuse.
- 2) Press S button.
- 3) Within 15 seconds, press four code keys in correct order.
- 4) Yellow SHUNT light goes on and connected circuitry is shunted. Wait for 1 to 2 second delay. Red ARMED light goes on. System is armed.
- 5) Leave before Mini-Sounder alerts end of exit delay and beginning of entry delay period. (*)

DISARMING WITH SHUNT

- 1) Mini-Sounder sounds until end of entry delay period. (*)
- 2) Press four code keys in correct order.
- 3) Red ARMED light goes off. System is disarmed.
- 4) Wait 1 to 2 seconds. Yellow SHUNT light goes off.

NAPCO LIMITED WARRANTY

NAPCO SECURITY SYSTEMS, INC. (NAPCO) warrants each of its products to be free from manufacturing defects in materials and workmanship for fifteen months following the date of manufacture. NAPCO will, within said period, at its option, repair or replace any product failing to operate correctly, without charge to the original purchaser or user.

This warranty shall not apply to any equipment or any part thereof which has been repaired by others, improperly installed, improperly used, abused, altered, damaged, subjected to accident, nuisance, flood, fire or acts of God, or on which any serial numbers have been altered, defaced or removed. Seller will not be responsible for any dismantling, reassembly or reinstallation charges.

In order to exercise the warranty, the product must be returned by the user or purchaser, shipping costs prepaid, and insured to NAPCO. After repair or replacement, NAPCO assumes the cost of returning products under warranty.

There are no warranties, express or implied which extend beyond the description of the face hereof. There is no express or implied warranty of merchantability or a warranty of fitness for a particular purpose. Additionally, this warranty is in lieu of all other obligations or liabilities on the part of NAPCO.

This warranty contains the entire warranty. It is the sole warranty and any prior agree-

ments or representations, whether oral or written, are either merged herein or are expressly cancelled. NAPCO neither assumes, nor authorizes any other person purporting to act on its behalf to modify, to change, nor to assume for it, any other warranty or liability concerning its products.

In no event shall NAPCO be liable for an amount in excess of NAPCO's original selling price of the product, for any commercial loss or damage, whether direct, indirect, incidental, consequential, or otherwise arising out of any failure of the product. Seller's warranty, as hereinabove set forth, shall not be enlarged, diminished or affected by and no obligation or liability shall arise or grow out of Seller's rendering of technical advice or service in connection with Buyer's order of the goods furnished hereunder.

NAPCO recommends that the entire system be completely tested weekly.

Warning: Despite frequent testing, and due to, but not limited to, any or all of the following: criminal tampering, electrical or communications disruption, it is possible for the system to fail to perform as expected. Therefore, the consumer is advised to take any and all precautions for his or her safety including, but not limited to, fleeing the premises and calling police or fire department, in order to mitigate the possibilities of harm and/or damage.

This warranty shall be construed in accordance with the laws of the State of New York.

